



TACBeam®

1 to 4 Channel Expanded Beam Connector (Qualified to MIL-DTL-83526/20 & 21)

Key Features



- Expanded Beam technology
- Multimode & Singlemode Options
- Hermaphroditic Interface
- 1 to 4 Channels Available
- Qualified to MIL-DTL-83526/20 & 21
- Easy clean, no special tools
- Compatible with ProBeam Jnr

The TACBeam® connector is qualified to MIL-DTL-83526/20 & 21 and utilises expanded beam technology. Ideal for both Military and Industrial applications, these connectors have been designed for use in the most demanding harsh environment applications and provide the ultimate in reliable performance.

The Hermaphroditic coupling allows for rapid deployment, creating low loss Singlemode and Multimode links with the ability to daisy chain without the need for plugs and receptacles.

Benefitting from expanded beam technology, the design and packaging provides a robust connectivity solution resistant to corrosion, mechanical and thermal shock and offers ease of cleaning .

An example of some of the markets where TACBeam® are used:

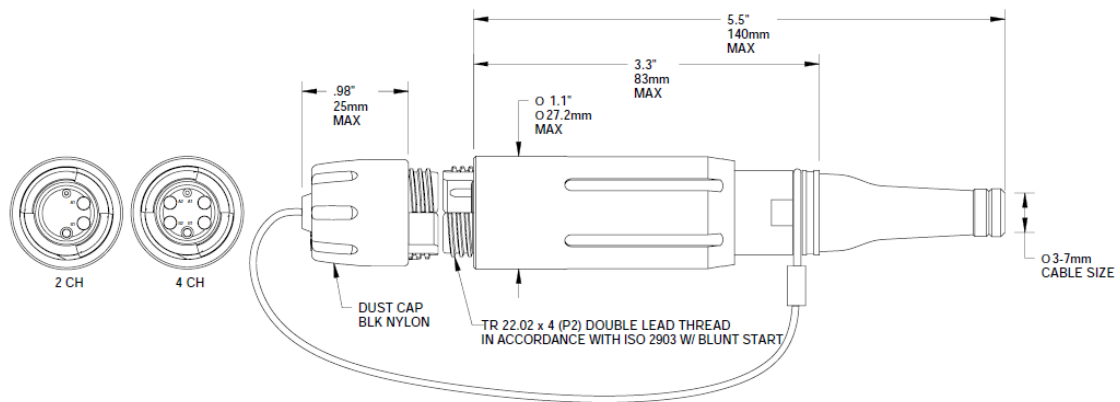
- Deployable Military Tactical Systems
 - Outside Broadcast
 - Security and Surveillance
 - Offshore Oil & Gas platforms
 - Rail & Mass Transit
-

TACBeam®

1 to 4 Channel Expanded Beam Connector (Qualified to MIL-DTL-83526/20 & 21)

Specification

Insertion Loss	≤ 2.0dB Multimode, ≤ 2.0dB Singlemode
Return Loss	≥ -31dB mated, ≥34dB unmated
Mating Durability	2000 cycles
Operating Temperature	-46°C to +71°C
Transit Temperature	-54°C to +71°C
Storage Temperature	-57°C to +85°C



Receptacle Assembly

