



## ARINC 801

### Circular connector qualified to ARINC 801 specification

---

#### Key Features



- Qualified to ARINC 801 Specification
- Precision alignment and components provide excellent optical performance
- High-density arrangements up to 32-channels
- Supports standard suite of 38999 backshells and accessories
- Removable ASR facilitates termini cleaning

Designed for aerospace and military applications. Based on the commercial ARINC 801 specification, this series features a removable alignment, sleeve retainer (ASR) for ease of termini end face cleaning, guide pins for precision alignment, and a scoop proof shell design. It is available in standard D38999 plug and wall mount shells. Inserts are available to support 2 to 32 channels.

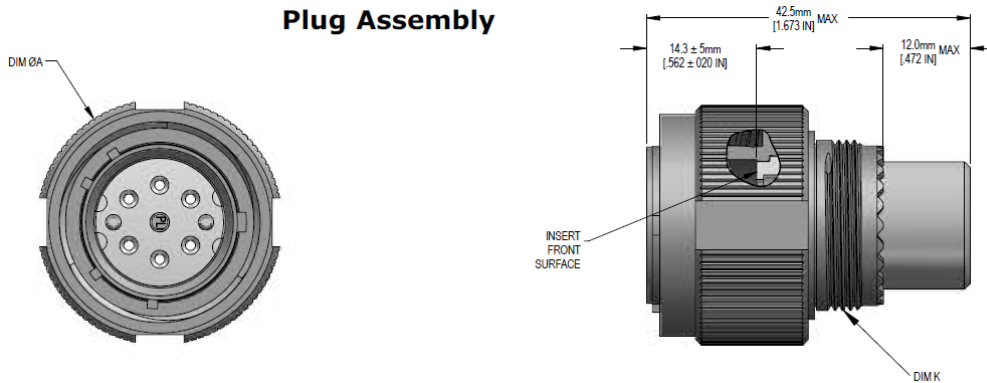
We also offer the companion ARINC 801 termini, which uses a standard 1.25mm ferrule and sleeve that can be terminated with standard LC termination procedures. The termini can be inserted or removed from the connector with a standard size 16 contact removal tool. The termini are available in both multimode and singlemode versions. The fibre optic termini provides low insertion loss (0.3dB max).

---

## ARINC 801

### Circular connector qualified to ARINC 801 specification

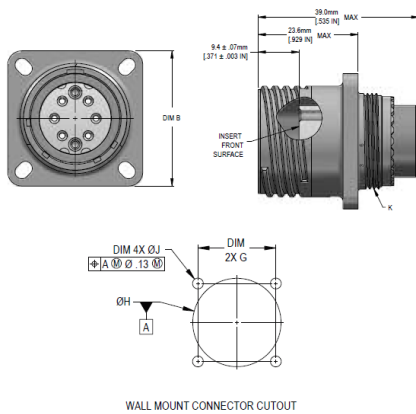
#### Plug Assembly



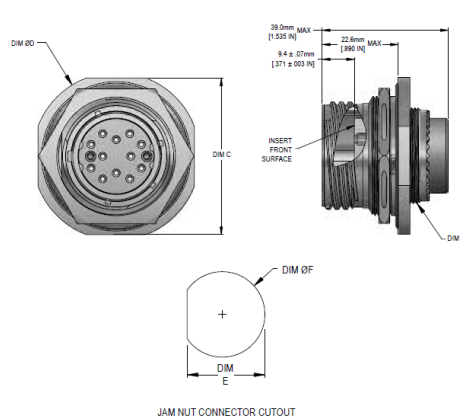
SHELL SIZE	DIM ØA MAX	DIM B SQ ±0.3	DIM C SQ ±0.4	DIM ØD MAX	DIME +.25/-00	DIM ØF +0.0/-0.25	DIM G MIN	DIM ØH MIN	DIM J ±.13	DIM K THREAD
11	24.9mm (0.98")	26.2mm (1.031")	31.8mm (1.250")	35.2mm (1.386")	19.59mm (.771)	20.96mm (0.825")	20.62mm (0.812")	20.22mm (0.796")	3.25mm (.128")	M15 X 1-6g
13	29.2mm (1.150")	28.6mm (1.125")	34.9mm (1.375")	38.4mm (1.512")	24.26mm (0.955")	25.65mm (1.010")	23.01mm (0.906")	23.42mm (0.922")		M18 X 1-6g
15	32.3mm (1.272")	31.0mm (1.220")	38.1mm (1.500")	41.6mm (1.638")	27.56mm (1.085)	28.83mm (1.135)	24.61mm (0.969")	26.59mm (1.047")		M22 X 1-6g
17	35.8mm (1.410")	33.3mm (1.311")	41.3mm (1.625")	44.8mm (1.764")	30.73mm (1.210")	32.01mm (1.260")	26.97mm (1.062")	30.96mm (1.219")		M25 X 1-6g
19	38.6mm (1.520")	36.5mm (1.437")	46.0mm (1.811")	49.5mm (1.950")	33.91mm (1.335")	35.18mm (1.385")	29.36mm (1.156")	32.94mm (1.297")		M28 X 1-6g
21	41.9mm (1.650")	39.7mm (1.563")	49.2mm (1.937")	52.7mm (2.075")	37.08mm (1.460")	38.35mm (1.510")	31.75mm (1.250")	36.12mm (1.422")		M31 X 1-6g
23	44.7mm (1.760")	42.9mm (1.689")	52.4mm (2.063")	55.9mm (2.200")	40.26mm (1.585")	41.53mm (1.635")	34.93mm (1.375")	39.29mm (1.547")		M34 X 1-6g
25	48.0mm (1.890")	46.0mm (1.811")	55.6mm (2.189")	59.0mm (2.323")	43.43mm (1.710")	44.70mm (1.760")	38.10mm (1.500")	42.47mm (1.672")		M37 X 1-6g

SHELL SIZE	KEYING POSITION DESIGNATOR	A°	B°	C°	D°
11, 13 & 15	N	95°	141°	208°	236°
	A	113°	156°	182°	292°
	B	90°	145°	195°	252°
	C	53°	156°	220°	255°
	D	119°	146°	176°	298°
17 & 19	E	51°	141°	184°	242°
	N	80°	142°	196°	293°
	A	135°	170°	200°	310°
	B	49°	169°	200°	244°
	C	66°	140°	200°	257°
21, 23 & 25	D	62°	145°	180°	280°
	E	79°	153°	197°	272°
	N	80°	142°	196°	293°
	A	135°	170°	200°	310°
	B	49°	169°	200°	244°
	C	66°	140°	200°	257°
	D	62°	145°	180°	280°
	E	79°	153°	197°	272°

#### Wall Mount Assembly



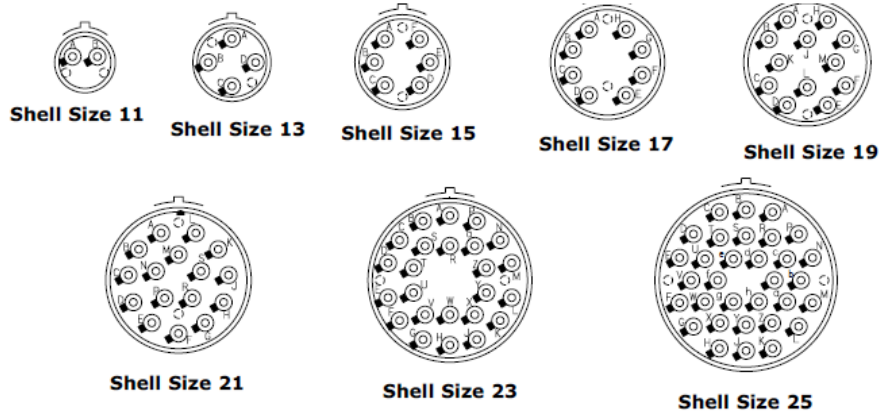
#### Jam Nut Receptacle Assembly



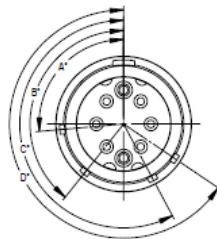
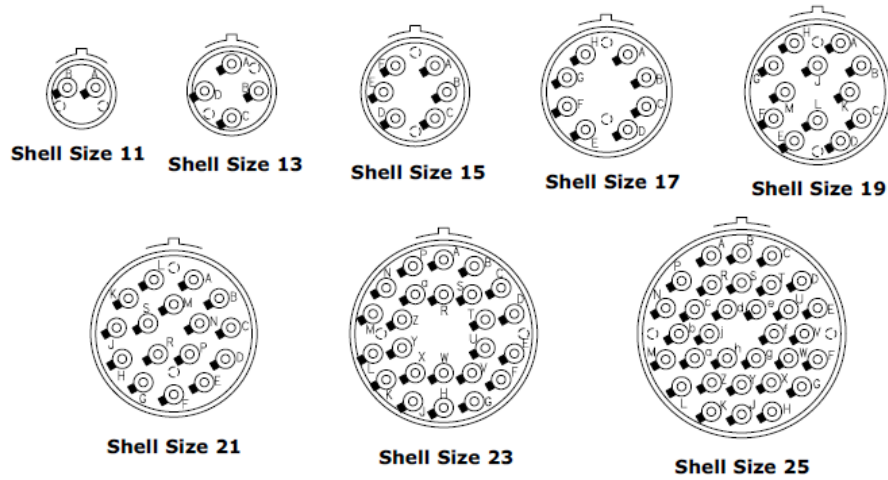
## ARINC 801

### Circular connector qualified to ARINC 801 specification

#### Plug Grommet Face



#### Receptacle Grommet Face



Keying Arrangements



ARINC 801 Fiber Optic Termini